

Adjustable hand levers

Zinc die casting, Bushing / Threaded bolt
Stainless Steel

SPECIFICATION

Handle

Zinc die casting

plastic coated

black, RAL 9005, textured finish **SW**

orange, RAL 2004, textured finish **OS**

Version with internal thread

Threaded bush and retaining screw

Stainless Steel AISI 303

Version with threaded stud

Threaded stud and retaining screw

Stainless Steel AISI 303



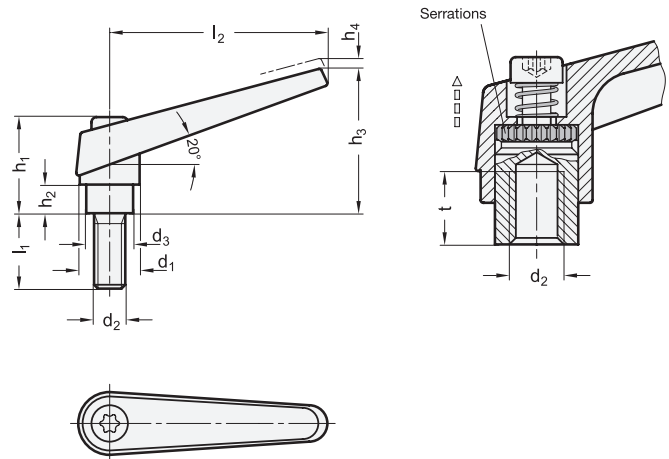
INFORMATION

Adjustable hand levers GN 101.1 are ideal whenever parts have to be clamped in a confined space or in a particular lever position. The centre insert is connected to the lever via serrations which can easily be disengaged.

Pulling the lever disengages serrations and allowing to be swivelled to the ideal clamping position. On releasing the lever the serrations automatically re-engage.

TECHNICAL INFORMATION

- Stainless Steel characteristics (see page A26)



* Complete with colour index of the clamping lever body (SW or OS)

■ **SW** RAL9005 ■ **OS** RAL2004

GN 101.1-with internal thread

STAINLESS STEEL

Description	d1	d2	d3	h1	h2	h3 ≈	h4	l2	t min.	⚖
GN 101.1-14-M5-*	14	M 5	10	25	4.5	35	3.5	45	9	36
GN 101.1-14-M6-*	14	M 6	10	25	4.5	35	3.5	45	9	36
GN 101.1-18-M6-*	18	M 6	13.5	31	6.5	45	4	62	11	71
GN 101.1-18-M8-*	18	M 8	13.5	31	6.5	45	4	62	11	60
GN 101.1-22-M8-*	22	M 8	16	36	8	52	4	74	14	116
GN 101.1-22-M10-*	22	M 10	16	36	8	52	4	74	14	116
GN 101.1-25-M10-*	25	M 10	19	43	11	63	4	89	17	174
GN 101.1-25-M12-*	25	M 12	19	43	11	63	4	89	17	168
GN 101.1-30-M12-*	30	M 12	23	50.5	12	76	5	108	22	290
GN 101.1-30-M16-*	30	M 16	23	50.5	12	76	5	108	22	273


* Complete with colour index of the clamping lever body (SW or OS)

 **SW**
RAL9005

 **OS**
RAL2004

GN 101.1-with threaded stud

STAINLESS STEEL

Description	d1	d2	l1	d3	h1	h2	h3 ≈	h4	l2	
GN 101.1-14-M5-12-*	14	M 5	12	10	25	4.5	35	3.5	45	39
GN 101.1-14-M5-16-*	14	M 5	16	10	25	4.5	35	3.5	45	39
GN 101.1-14-M5-20-*	14	M 5	20	10	25	4.5	35	3.5	45	39
GN 101.1-14-M5-25-*	14	M 5	25	10	25	4.5	35	3.5	45	40
GN 101.1-14-M5-32-*	14	M 5	32	10	25	4.5	35	3.5	45	41
GN 101.1-14-M5-40-*	14	M 5	40	10	25	4.5	35	3.5	45	42
GN 101.1-14-M5-50-*	14	M 5	50	10	25	4.5	35	3.5	45	43
GN 101.1-14-M6-12-*	14	M 6	12	10	25	4.5	35	3.5	45	39
GN 101.1-14-M6-16-*	14	M 6	16	10	25	4.5	35	3.5	45	40
GN 101.1-14-M6-20-*	14	M 6	20	10	25	4.5	35	3.5	45	40
GN 101.1-14-M6-25-*	14	M 6	25	10	25	4.5	35	3.5	45	39
GN 101.1-14-M6-32-*	14	M 6	32	10	25	4.5	35	3.5	45	43
GN 101.1-14-M6-40-*	14	M 6	40	10	25	4.5	35	3.5	45	41
GN 101.1-14-M6-50-*	14	M 6	50	10	25	4.5	35	3.5	45	46
GN 101.1-18-M6-16-*	18	M 6	16	13.5	31	6.5	45	4	62	77
GN 101.1-18-M6-20-*	18	M 6	20	13.5	31	6.5	45	4	62	78
GN 101.1-18-M6-25-*	18	M 6	25	13.5	31	6.5	45	4	62	79
GN 101.1-18-M6-32-*	18	M 6	32	13.5	31	6.5	45	4	62	79
GN 101.1-18-M6-40-*	18	M 6	40	13.5	31	6.5	45	4	62	82
GN 101.1-18-M6-50-*	18	M 6	50	13.5	31	6.5	45	4	62	83
GN 101.1-18-M6-63-*	18	M 6	63	13.5	31	6.5	45	4	62	85
GN 101.1-18-M8-16-*	18	M 8	16	13.5	31	6.5	45	4	62	80
GN 101.1-18-M8-20-*	18	M 8	20	13.5	31	6.5	45	4	62	80
GN 101.1-18-M8-25-*	18	M 8	25	13.5	31	6.5	45	4	62	83
GN 101.1-18-M8-32-*	18	M 8	32	13.5	31	6.5	45	4	62	85
GN 101.1-18-M8-40-*	18	M 8	40	13.5	31	6.5	45	4	62	86
GN 101.1-18-M8-50-*	18	M 8	50	13.5	31	6.5	45	4	62	90
GN 101.1-18-M8-63-*	18	M 8	63	13.5	31	6.5	45	4	62	95
GN 101.1-22-M10-20-*	22	M 10	20	16	36	8	52	4	74	135
GN 101.1-22-M10-25-*	22	M 10	25	16	36	8	52	4	74	137
GN 101.1-22-M10-32-*	22	M 10	32	16	36	8	52	4	74	139
GN 101.1-22-M10-40-*	22	M 10	40	16	36	8	52	4	74	144
GN 101.1-22-M10-50-*	22	M 10	50	16	36	8	52	4	74	150
GN 101.1-22-M10-63-*	22	M 10	63	16	36	8	52	4	74	157
GN 101.1-22-M10-80-*	22	M 10	80	16	36	8	52	4	74	165
GN 101.1-25-M12-25-*	25	M 12	25	19	43	11	63	4	89	202
GN 101.1-25-M12-32-*	25	M 12	32	19	43	11	63	4	89	207
GN 101.1-25-M12-40-*	25	M 12	40	19	43	11	63	4	89	212
GN 101.1-25-M12-50-*	25	M 12	50	19	43	11	63	4	89	221
GN 101.1-25-M12-63-*	25	M 12	63	19	43	11	63	4	89	229
GN 101.1-25-M12-80-*	25	M 12	80	19	43	11	63	4	89	240
GN 101.1-30-M16-32-*	30	M 16	32	23	50.5	12	76	5	108	349
GN 101.1-30-M16-40-*	30	M 16	40	23	50.5	12	76	5	108	360
GN 101.1-30-M16-50-*	30	M 16	50	23	50.5	12	76	5	108	372
GN 101.1-30-M16-63-*	30	M 16	63	23	50.5	12	76	5	108	391
GN 101.1-30-M16-80-*	30	M 16	80	23	50.5	12	76	5	108	413



Clamping levers 11